



iSN-701-F15-L030 iSN-701-F15-L060 iSN-703-F1-L015

1-Axis, 3-Axis Accelerometer

Introduction

iSN-701-F15-L030, iSN-701-F15-L060 and iSN-703-F1-L015 is a high sensitivity accelerometer, iSN-701-F15-L030 and iSN-701-F15-L060 is a homotaxial IEPE accelerometer, iSN-703-F1-L015 is a triaxial accelerometer that simultaneously measures vibration in three orthogonal axes. Designed primarily for vibration analysis applications.

System Specifications

Model	iSN-701-F15-L030	iSN-701-F15-L060	iSN-703-F1-L015
Vibration Measurement			
Axes	1-Axis		3-Axis
Sensor Type	IEPE		MEMS
Range	±80g		±18g
Sampling Rate	0.5Hz~15kHz		10Hz~1kHz
Sensitivity	100mV/g		400mV/g per axis
Bias Voltage	10~14VDC		10±0.5VDC
Power			
Input Range	18~30VDC, 2~10mA		22~26VDC, 3mA
Mechanical			
Dimensions (W x L x H)	Ø22.9 mm x 53.3 mm		(15±0.05) mm x (21±0.05) mm x (8.5±0.05) mm
Cable			
Length	3m	6m	1.5m

Ordering Information

iSN-701-F15-L030 CR	1-axis accelerometer, Range 80g, Sensitivity 100mV/g, Frequency up to 15 kHz, includes 300 cm cable (RoHS)
iSN-701-F15-L060 CR	1-axis accelerometer, Range 80g, Sensitivity 100mV/g, Frequency up to 15 kHz, includes 600 cm cable (RoHS)
iSN-703-F1-L015 CR	3-axis accelerometer, Range 18g, Sensitivity 400mV/g, Frequency up to 1 kHz, includes 150 cm cable (RoHS)

Related Products

SG-3227 CR	2-channel IEPE Input Signal Conditioner (RoHS)
SG-3037-G CR	Triaxial Signal Conditioner (RoHS)

Accessories

iSN-701-Mbase01	Magnetic Base for iSN-701 series (RoHS)
------------------------	-----------------------------------------

Features

iSN-701-F15-L030/ iSN-701-F15-L060

- IEPE accelerometer
- Homotaxial design
- Measuring range is ±80g
- Frequency response ranges from 0.5Hz to 15kHz

iSN-703-F1-L015

- 3 wire voltage accelerometer
- Triaxial design
- Measuring range is ±18g
- Frequency response ranges from 10Hz to 1kHz

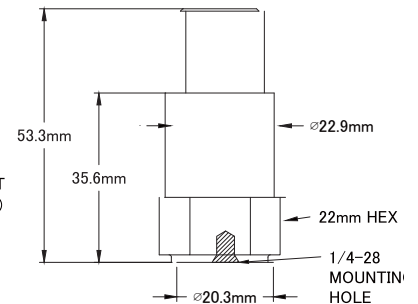
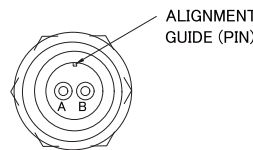


Dimensions (Units: mm)

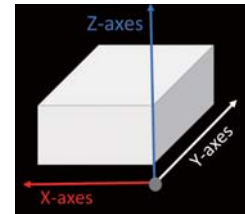
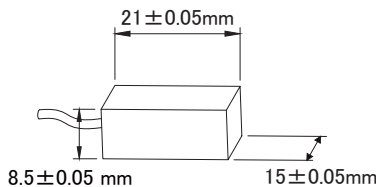
iSN-701-F15-L030/ iSN-701-F15-L060

2 Pin Connector

Connector Pin	Polarity
A	(+)Signal/Power
B	(-)Common



iSN-703-F1-L015



Triaxial Accelerometers



Wire Color	Function
Red	V+
White	X-axes
Blue	Y-axes
Yellow	Z-axes
Green	N/C
Black	GND