



VXC-144U



VXC-144iU

Universal PCI, 4-port RS-422/485 Communication Board

Features

- Supports 3.3 V/5 V PCI bus, Plug and Play
- Provides 4-port RS-422/485
- 128 bytes hardware FIFO for each port
- Built-in COM-Selector
- +/-4 kV ESD Protection
- Short Card Design
- Up to 128 KB software FIFO for each COM port under Windows
- DOS, Windows NT/2K/XP/2003 and Linux driver supported

[VXC-144iU only]

- 3 kV Isolation ports

Software

- Driver for Windows NT 4.0
- Driver for Windows 2000/XP/2003/Vista (32-bit)
- Driver for Linux



Introduction

The VXC-144U card provides 4 non-isolated RS-422/RS-485 serial ports and the VXC-144iU card provides 4-isolated RS-422/RS-485 serial ports which withstand isolation voltage up to 3 kV. Each port can be configured as either RS-485 for half-duplex or RS-422 for full-duplex communication. It equips 128 bytes hardware FIFO for each port, offers speed up to 115200 bps and long distance communication link.

Users can select a specified COM port number manually by setting dipswitch, or let the driver to choose an available number automatically. The driver provides a maximum of 128 KB software FIFO for each COM port under Windows. It's practical for large file transmission.

In the harsh industrial environment, the on board ESD protection can protect the computer and equipment from being damaged by high potential voltage.

Applications

- Industrial Machinery
- Building Automation
- Restaurant Appliances
- Laboratory Equipment & Research
- Industrial Communication

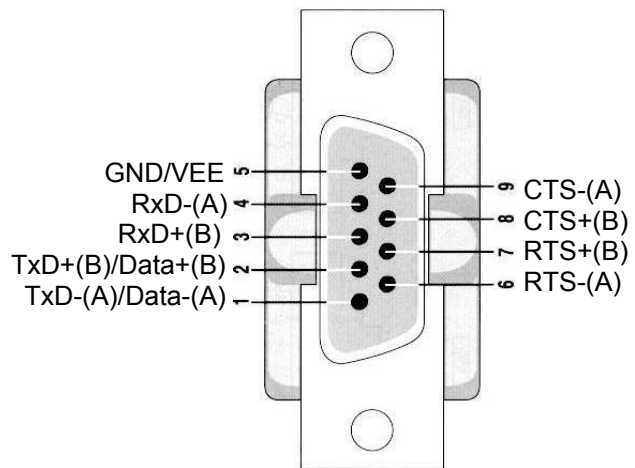
Specifications

	VXC-144	VXC-144iU
Interface	Universal PCI, 3.3 V and 5 V, 33 MHz, 32-bit, Plug and Play mechanism	
COM1 ~ COM4	RS-422/485	Isolation RS-422/485
UART	16C550 compatible	
Baud Rate	50 ~ 115200 bps	
Data Bit	5, 6, 7, 8	
Stop Bit	1, 1.5, 2	
Parity	None, Even, Odd, Mark, Space	
FIFO	Internal 128 bytes	
Connector	Female DB-37	
Operating Temperature	0 ~ 50 °C	
Storage Temperature	-20 °C ~ 70 °C	
Humidity	0 ~ 90% RH, non-condensing	
Dimensions (L X W)	130 mm x 105 mm	

Pin Assignment

Pin Assignment Name	Terminal No.	Pin Assignment Name
N.C.	01	20 CTS3- (A)
TxD3- (A)/Data3-(A)	02	21 RxD3- (A)
GND/VEE3	03	22 RTS3- (A)
CTS3+ (B)	04	23 RTS3+ (B)
TxD3+ (B)/Data3+(B)	05	24 RxD3+ (B)
CTS4- (A)	06	25 TxD4- (A)/Data4-(A)
RxD4- (A)	07	26 GND/VEE4
RTS4- (A)	08	27 CTS4+ (B)
RTS4+ (B)	09	28 TxD4+ (B)/Data4+(B)
RxD4+ (B)	10	29 CTS2- (A)
TxD2- (A)/Data2-(A)	11	30 RxD2- (A)
GND/VEE2	12	31 RTS2- (A)
CTS2+ (B)	13	32 RTS2+ (B)
TxD2+ (B)/Data2+(B)	14	33 RxD2+ (B)
CTS1- (A)	15	34 TxD1- (A)/Data1-(A)
RxD1- (A)	16	35 GND/VEE1
RTS1- (A)	17	36 CTS1+ (B)
RTS1+ (B)	18	37 TxD1+ (B)/Data1+(B)
RxD1+ (B)	19	

37-Pin Female D-Sub Connector_RS422/485



RS422/485 DB-37 to DB-9 Pin Assignment

Ordering Information

VXC-144 CR	Universal PCI, 4-port RS-422/485 communication board. (RoHS) Includes one CA-4002 connector.
VXC-144iU CR	Universal PCI, 4-port Isolated RS-422/485 communication board. (RoHS) Includes one CA-4002 connector.

Optional Accessories

CA-4002	37-pin Male D-sub connector with plastic cover.
CA-9-3715D	DB-37 Male (D-sub) to 4-Port DB-9 Male (D-sub) cable. 1.5 M Cable for VXC series (180°)

