



VXC-112A / VXC-112U

► Available soon

VXC-112A: PCI Bus, 2-port RS-232 communication board.
VXC-112U: Universal PCI Bus, 2-port RS-232 communication board.

Features

- Built-in Com-Selector
- Up to 128 KB software FIFO for each COM port under Windows
- Short Card Design
- Supports PCI bus, Plug and Play
- Provides 2-port RS-232
- +/-4 kV ESD Protection
- LED diagnostic indicators
- [VXC-112A only]
- Supports 5 V PCI bus, Plug and Play
- 16 bytes hardware FIFO for each port
- [VXC-112U only]
- Supports 3.3 V/5 V PCI bus, Plug and Play
- 128 bytes hardware FIFO for each port

Software

- Dos Lib
- Driver for Windows NT 4.0
- Driver for Windows 2000/XP/2003
- Driver for Linux



Introduction

Functional Description

The VXC-112A/VXC-112U communication card provides 2 independent RS-232 serial ports. Each port offers speed up to 115200 bps and can work for half-duplex or full-duplex communication. VXC-112A equips 16 bytes hardware FIFO while VXC-112U equips 128 bytes hardware FIFO.

The user can select a specified COM port number manually by setting COM-Selector (dip switch), or let the driver to choose an available number automatically. The driver provides a maximum of 128 KB software FIFO for each COM port under Windows. It's practical for large file transmission.

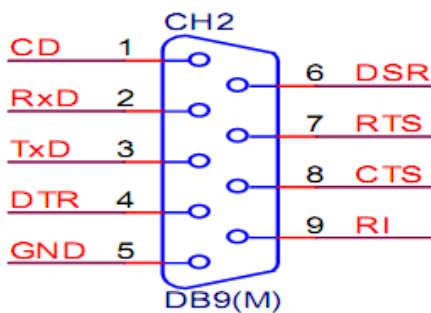
In the harsh industrial environment, the on board ESD protection can protect the computer and equipment from being damaged by high potential voltage.

Specifications

	VXC-112A	VXC-112U
Hardware FIFO	16 bytes	128 bytes
Interface	PCI bus	Universal PCI bus
COM1, COM2	RS-232	
UART	16C550 compatible	
Baud Rate	50 ~ 115200 bps	
Data Bit	5, 6, 7, 8	
Stop Bit	1, 1.5, 2	
Parity	None, Even, Odd, Mark, Space	
Connector	2 x DB9 (Male)	
Operating Temperature	0 ~ 50 °C	
Storage Temperature	-20 °C ~ 70 °C	
Humidity	0 ~ 90% RH, non-condensing	
Dimensions (L X W)	130 mm x 105 mm	

Pin Assignment

RS-232 Cable Wiring



VXC-112A (Male DB-9) Null Modem Cable Wiring

System 1	Pin		Pin	System 2
TX	3	→	2	RX
RX	2	←	3	TX
RTS	7	→	1	DCD
CTS	8		-	
DSR	6	←	4	DTR
DCD	1	←	7	RTS
	-		8	CTS
DTR	4	→	6	DSR
GND	5	→	5	GND

Ordering Information

VXC-112A	PCI bus, 2-port RS-232 communication board.
VXC-112U ~Available soon~	Universal PCI bus, 2-port RS-232 communication board.

Optional Accessories

CA-0910F	9-pin Female-Female D-sub Cable 1 M.
CA-0915	9-pin Male-Female D-sub cable, 1.5 M.
CA-PC09F	9-pin Female D-sub connector with plastic cover.
DN-09-2F	I/O Connector Block with DIN-Rail Mounting and two 9-pin Male Header. Includes CA-0910F x 2 (9-pin Female-Female D-sub Cable 1 M).



CA-0910F



CA-0915



CA-PC09F



DN-09-2F