



GREYSTONE ENERGY SYSTEMS INC

LOW PRESSURE TRANSMITTER ELP Series

The Low Pressure Transmitter series is used to measure positive, negative or differential pressure. The piezoresistive sensor is ideal for monitoring the pressure of air or other clean inert gas. Typical HVAC applications include monitoring of filter differential pressure or VAV applications. An integrated static pressure probe provides ease of installation for duct mounting. Several accessories are available. A weatherproof polycarbonate enclosure is provided for electrical connections and ease of installation.



SPECIFICATIONS:

- Accuracy ±1% F.S.O.
- Measurement Type Differential (ELP-X) or Static (ELP-S)
- Response Time 250 ms
- Stability < ±1% F.S.O. per year
- Thermal Effects < ±3% over compensated range
- Compensated Range -25 to 85° C (-13 to 185°F)
- Proof Pressure 100" W.C. (200" for 5", 10" & 20" models)
- Burst Pressure 300" W.C. (500" for 20" models)
- Operating Conditions 0 to 50°C (32 to 122°F), 10 - 90 %RH, non-condensing
- Power Supply 20 - 28 Vac/dc (non-isolated half-wave rectified)
- Supply Current **Current:** 20 mA max
Voltage: < 4 mA
- Input Voltage Effect Negligible over operating range
- Protection Circuitry Reverse voltage protected and output limited
- Output Signal 4-20 mA (2-wire), 0-10 Vdc (3-wire), field selectable
- Output Drive Capabilities **Current:** 400 ohms max @ 24 vdc
Voltage: 10K ohms min
- Zero Adjustments Pushbutton auto-zero
- Wiring Connections Screw terminal block (14 to 22 AWG)
- Pressure Connection Barbed ports for 5 mm (0.170" ID) flexible tubing
- Conduit Connection 1/2" NPT conduit or cable gland
- Enclosures Polycarbonate UL94-V0, IP65 (NEMA 4X)
F style includes thread adapter (1/2" NPT to M16) and cable gland fitting
- Approvals CE, RoHS
- Country of Origin Canada

PART NUMBER SELECTED

PRODUCT SELECTION INFORMATION:

MODEL	Product Description
ELP	Low Pressure Transmitter

CODE	Enclosure
B	Polycarbonate with hinged and gasketed cover
F	Same as B, with thread adapter and cable gland fitting

CODE	Pressure Range
0001W	±1" / 0-1"wc
0002W	±2" / 0-2"wc
0005W	±5" / 0-5"wc
0010W	±10" / 0-10"wc
0020W	±20" / 0-20"wc
0250P	±250 / 0-250 Pa
0500P	±500 / 0-500 Pa
1250P	±1250 / 0-1250 Pa
2500P	±2500 / 0-2500 Pa
5000P	±5000 / 0-5000 Pa

CODE	Probe
X	No Probe
S	Static Probe

Greystone Energy Systems, Inc. reserves the right to make design modifications without prior notice.

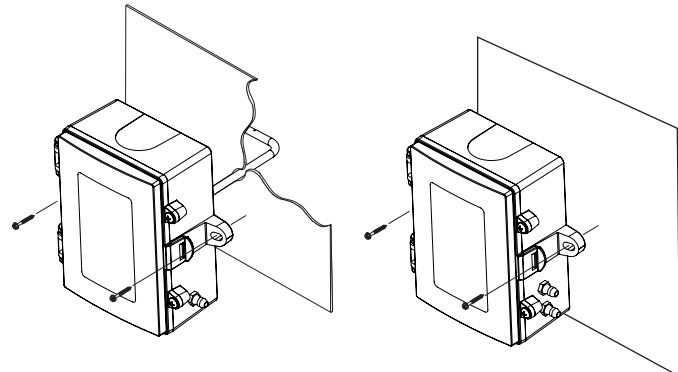
TYPICAL INSTALLATION:

For complete installation and wiring details, please refer to the product installation instructions.

The ELP mounts on any surface using the two holes provided on the base of the unit. Make sure there is enough space around the unit to connect the pressure tubing without kinking and avoid locations where severe vibrations or excessive moisture are present.

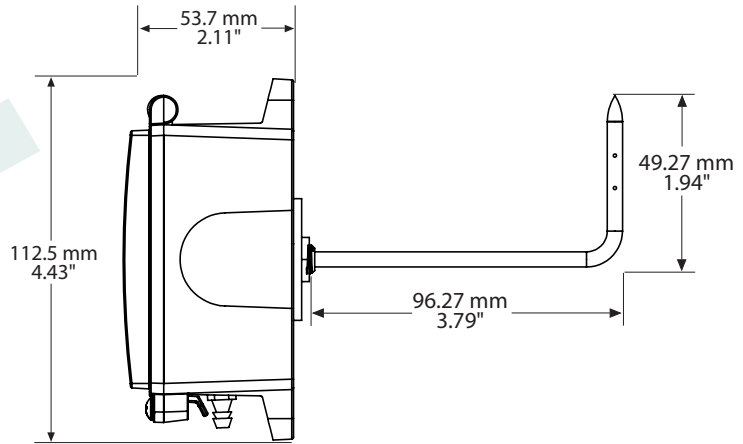
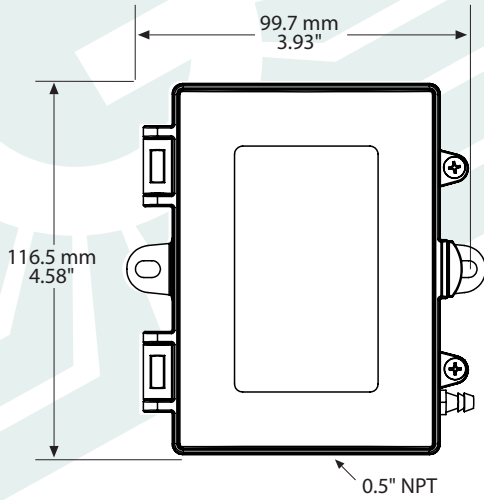
The unit may be mounted in any position but typically is installed on a vertical surface with pressure ports on the right and the cable entrance on the left. If the unit has the integrated static pressure probe, drill a hole in the duct and insert so the probe point is facing into the airflow. The enclosure has a standard opening for a 1/2" conduit and may be installed with either conduit and a conduit coupler or a cable gland type fitting.

The enclosure provides mounting tabs for ease of installation.



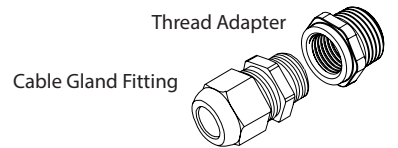
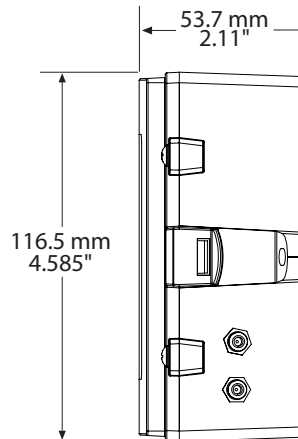
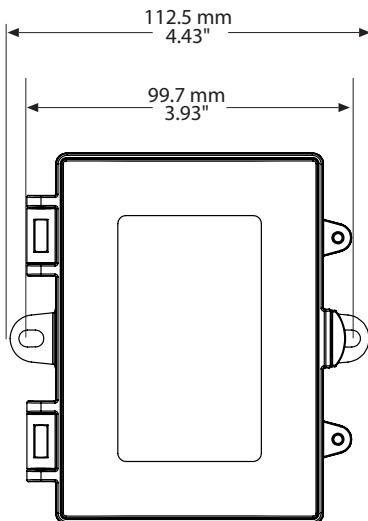
DIMENSIONS:

Static Probe



Included with F style enclosure

Surface



RoHS
COMPLIANT



Greystone Energy Systems Inc. is one of North America's largest ISO registered manufacturers of HVAC/R sensors and transmitters for Building Automation Management Systems.

We have conscientiously established a worldwide reputation as an industry leader by maintaining leading-edge design technology, prompt technical support, and a commitment to on-time deliveries. We take pride in our Quality Management System which is ISO 9001 certified, assuring our customers of consistent product reliability.

GREYSTONE HAS AN **ISO 9001** REGISTERED QUALITY SYSTEM