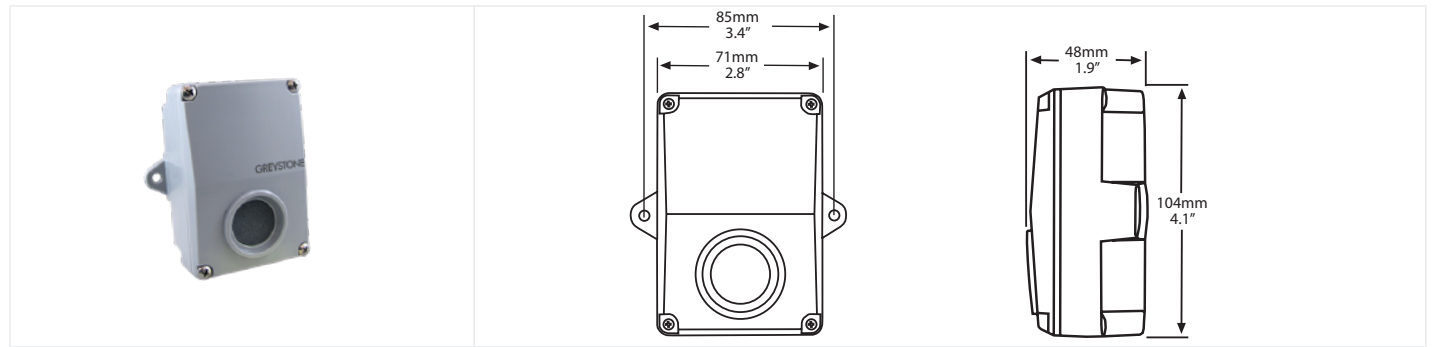




## WALL CARBON MONOXIDE DETECTOR



### CMD5B1 SERIES

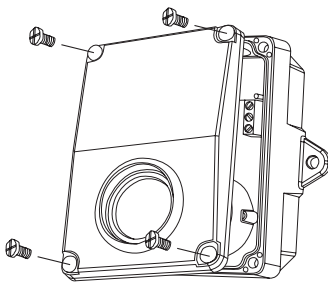
### PRODUCT DESCRIPTION

The CMD series carbon monoxide detector uses an electrochemical sensor to monitor the carbon monoxide level and outputs a factory calibrated 4-20 mA, 0-10 Vdc, or Modbus signal. Optionally, the device may be configured with an alarm relay.

### TYPICAL INSTALLATION

**For complete installation and wiring details, please refer to the product installation instructions.**

The enclosure should be mounted on a flat surface 1-1.5 m (3-5') from the floor of the area to be controlled. Do not mount the sensor near doors, opening windows, supply air diffusers or other known air disturbances. Avoid areas with vibrations or rapid temperature changes.



### SPECIFICATIONS

MEASUREMENT	Electrochemical
SAMPLE METHOD	Diffusion
MEASUREMENT RANGE	<b>Analog:</b> 0-300 ppm <b>Modbus:</b> 0-500 ppm
ACCURACY	±5 ppm or ±5% of reading (whichever is greater) 0 to 50°C (32 to 122°F), 15 to 95 %RH
AGENCY APPROVALS	Sensor is UL Recognized for ANSI/UL-2034 and UL-2075, E240671
OPERATING CONDITIONS	-20 to 50°C (-4 to 122°F), 15 to 90 %RH, 0.9-1.1 atm
STABILITY	<5% signal loss/year
RESPONSE TIME	<35 seconds for 90% step change
LIFE EXPECTANCY	7 years in air
TYPICAL COVERAGE AREA	700m <sup>2</sup> (7500ft <sup>2</sup> ) or 15m (50ft) radius
WIRING CONNECTIONS	Screw terminal block (14 to 22 AWG)
ENCLOSURE	ABS, UL94-V, IP65 (NEMA 4X)
ENCLOSURE DIMENSIONS	71mm W x 104mm H x 48mm D (2.8" x 4.1" x 1.9")
COUNTRY OF ORIGIN	Canada
NON-RELAY MODEL	<b>Power Supply:</b> 24 Vdc ±20% or 24 Vac ± 10% (non-isolated half-wave rectified) <b>Consumption:</b> 20 mA max <b>Output Signal:</b> 4-20 mA loop-powered or 0-10 Vdc (factory calibrated) <b>Output Drive Capability @ 24 Vdc:</b> Current - 550Ω max Voltage - 10,000Ω min
RELAY MODEL	<b>Power Supply:</b> 24 Vdc ±20% or 24 Vac ±10% (non-isolated half-wave rectified) <b>Consumption:</b> 40 mA max <b>Output Signal:</b> 4-20 mA sourcing or 0-10 Vdc (factory calibrated) <b>Output Drive Capability @ 24 Vdc:</b> Current - 550Ω max Voltage - 10,000Ω min <b>Relay Contacts:</b> Form C contacts (N.O. and N.C.), 5 Amps @ 250 Vac, 5 Amps @ 30 Vdc <b>Relay Trip Point:</b> 25, 60 and 150 ppm - jumper selectable <b>Relay Hysteresis:</b> 3% or 9 ppm

### ORDERING

PRODUCT	<b>CMD5B1</b>	Wall/Surface Mount Carbon Monoxide Detector
RELAY OPTION	<b>000</b> <b>100</b>	No Relay With Relay (Not available with Modbus communications)
OPTIONS	<b>-</b> <b>010</b> <b>MOD</b>	Leave blank for 4-20 mA 0-10 Vdc output Modbus communications

### PART NUMBER

<b>CMD5B1</b>
---------------

NOTE: Greystone Energy Systems, Inc. reserves the right to make design modifications without prior notice.