



GREYSTONE

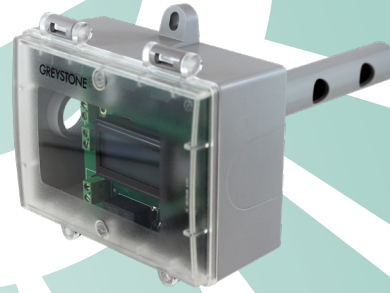
ENERGY SYSTEMS INC

AIR QUALITY TRANSMITTER AQDT Series

The Indoor Air Quality Sensor uses an advanced MEMS metal oxide semiconductor sensor to detect poor air quality. The sensor reacts quickly to detect a broad range of VOCs such as smoke, cooking odors, bio-effluence, outdoor pollutants and from human activities. The sensor captures all VOC emissions that are completely invisible to CO2 sensors. A weatherproof Polycarbonate enclosure is provided for ease of installation.

SPECIFICATIONS:

Sensing TechnologyMEMS metal oxide semiconductor VOC sensor
 Measurement Range.....450-2000 ppm CO2 equivalent or 0-100%
 (menu selectable)
 Drift Compensation.....Automatic baseline correction
 Power Supply20-28 Vac/dc (non-isolated half-wave rectified)
 Consumption35 mA max @ 24 Vdc
 Input Voltage Effect.....Negligible over specified operating range
 Protection Circuitry.....Reverse voltage protected, over voltage protected
 Operating Conditions0-50°C (32-122°F), 5-95 %RH non-condensing
 Linear Output Signal0-5 / 0-10 Vdc (menu selectable)
 = 0-2000 ppm CO2 equivalent
 Analog Stepped Output Signal...Three steps representing Good, Fair, and Poor air quality
 (each step is independently adjustable from 0-10 Vdc)
 Output Drive Capability10 KΩ minimum
 Programming and SelectionVia internal push-buttons and LCD menu
 Warm-up Time5 minutes
 LCD Resolution1 ppm / 1%
 LCD Size35 mm W x 15 mm H (1.4" x 0.6")
 alpha-numeric 2 line x 8 characters
 Wiring Connections.....Screw terminal blocks, 14 to 22 AWG
 Probe152 mm L x 22.5 mm D (6" x 0.88")
 Weight290 gm (10.2 oz)
 Relay OutputForm A contact (N.O.) 5 Amps @ 250 Vac,
 5 Amps @ 30 Vdc for resistive load
 2 Amps @ 250 Vac, 2 Amps @ 30 Vdc for inductive load
 (trip point and hysteresis set via menu)
 Optional Temperature Sensor...Various thermistors and RTDs, 2-wire resistive output
 EnclosureGrey polycarbonate with gasket, UL94-V0 IP65 (NEMA4X)
 F style includes thread adapter (1/2" NPT to M16)
 and cable gland fitting
 Country of Origin.....Canada



PART NUMBER SELECTED

PRODUCT SELECTION INFORMATION:

MODEL	Product Description
AQDT	Duct Air Quality Transmitter

CODE	Enclosure
B	Polycarbonate, with hinged & gasketed cover
F	Same as B, with thread adapter & cable gland fitting

CODE	Sensor
00	No Sensor Option
02	100 Ω Platinum RTD, IEC 751, 385 Alpha, thin film
05	1801 Ω, NTC Thermistor, ±0.2°C
06	3000 Ω, NTC Thermistor, ±0.2°C
07	10,000 Ω, type 3, NTC Thermistor, ±0.2°C
08	2.252K Ω, NTC Thermistor, ±0.2°C
12	1000 Ω, Platinum RTD, IEC 751, 385 Alpha, thin film
13	1000 Ω, Nickel RTD, Class B, DIN 43760
14	10K Ω, type 3, NTC Thermistor, ±0.2°C c/w 11K shunt resistor
20	20,000 Ω, NTC Thermistor, ±0.2°C
24	10,000 Ω, type 2, NTC Thermistor, ±0.2°C

Greystone Energy Systems, Inc. reserves the right to make design modifications without prior notice.

TYPICAL INSTALLATION:

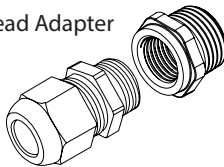
For complete installation and wiring details, please refer to the product installation instructions.

The duct type sensor installs on the outside of a return air duct with the sampling tube inserted into the duct. Mount the sensor in an easily accessible location in a straight section of duct at least five feet from corners and other items that may cause disturbances in the air flow. Avoid areas with vibrations or rapid temperature changes.

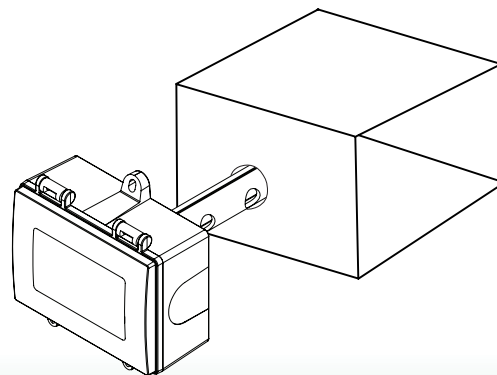
The enclosure provides mounting tabs for ease of installation.

Included with F style enclosure

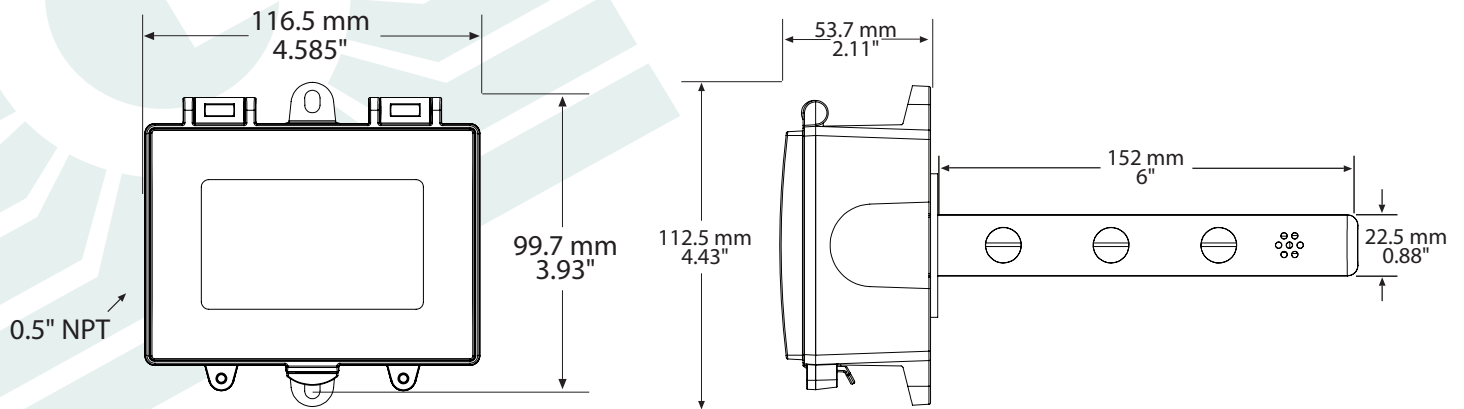
Thread Adapter



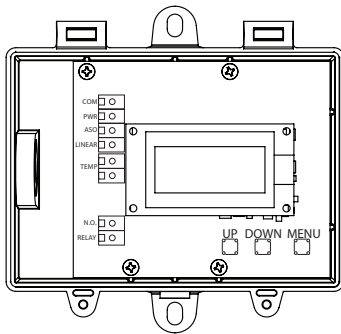
Cable Gland Fitting



DIMENSIONS:



PCB DIAGRAM:



RoHS
COMPLIANT



Greystone Energy Systems Inc. is one of North America's largest ISO registered manufacturers of HVAC/R sensors and transmitters for Building Automation Management Systems.

We have conscientiously established a worldwide reputation as an industry leader by maintaining leading-edge design technology, prompt technical support, and a commitment to on-time deliveries. We take pride in our Quality Management System which is ISO 9001 certified, assuring our customers of consistent product reliability.

GREYSTONE HAS AN **ISO 9001** REGISTERED QUALITY SYSTEM