

Product Overview

The LSPTA range of Pressure Transmitters are a cost effective pressure monitoring solution for liquids and nonaggressive, non-combustible gases. The units are available in a number of different ranges with either 4-20mA or 0-10Vdc output signals. Mechanical connection is via a 1/4" BSP male thread and electrical connection is made via a one metre flying lead cable or by a Hirschman plug.



Products Features

- Robust 316L stainless steel construction
- 1/4" BSP male connection
- 0-10Vdc and 4-20mA variants
- Complete with 1m cable

Product Specifications

Range:	500mBar to 30Bar (higher ranges available upon request)	
Over Pressure:	300% FS (<70kPa), 200% FS (<10MPa)	
	4-20mA unit (2 wire)	0-10Vdc unit (3 wire)
Power Supply:	12– 36Vdc	15-36Vdc
Output Load:	<(Vsupply-12)/0.02A	>10kΩ
Accuracy:	±0.25% typical	
Pressure Connection:	1/4" BSP	
Electrical Connection:	1m Cable	
Material:	316L Stainless Steel	
Operating Temperature:	-20°C to +85°C	
Dimensions:	67(L) x 24mm Ø (max.)	
Weight:	145grams	
Protection:	IP65	
Approvals:	CE	
Country of Origin	United Kingdom	

Product Order Codes

Current output,4-20mA	Voltage output, 0-10Vdc	Description
LSPTA-I-500m	LSPTA-V-500m	Static Pressure Transmitter 0 to 500mbar
LSPTA-I-1	LSPTA-V-1	Static Pressure Transmitter 0 to 1bar
LSPTA-I-2.5	LSPTA-V-2.5	Static Pressure Transmitter 0 to 2.5bar
LSPTA-I-4	LSPTA-V-4	Static Pressure Transmitter 0 to 4bar
LSPTA-I-6	LSPTA-V-6	Static Pressure Transmitter 0 to 6bar
LSPTA-I-10	LSPTA-V-10	Static Pressure Transmitter 0 to 10bar
LSPTA-I-16	LSPTA-V-16	Static Pressure Transmitter 0 to 16bar
LSPTA-I-25	LSPTA-V-25	Static Pressure Transmitter 0 to 25bar
LSPTA-I-30	LSPTA-V-30	Static Pressure Transmitter 0 to 30bar

* Add suffix “-P” after the part number for Hirschman Plug

LSPTA

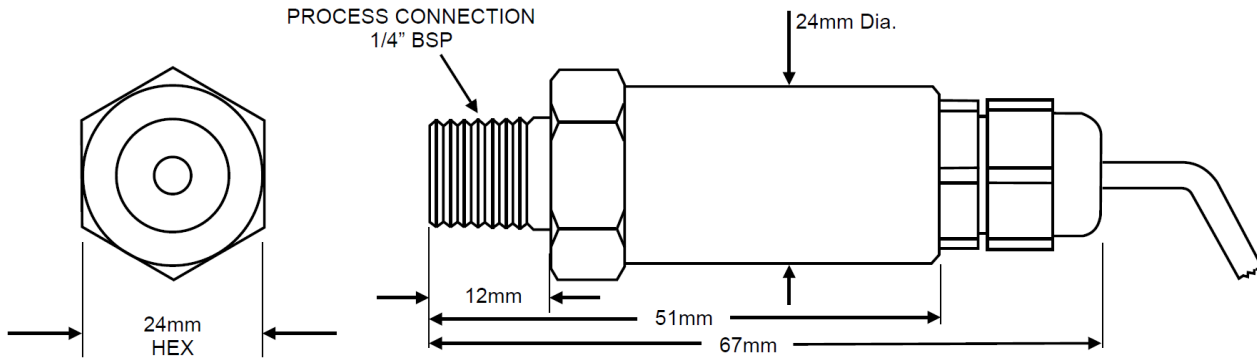
Static Pressure Transmitter

Installation

These transmitters should be installed by a suitably qualified technician in accordance with prevailing regulations and any guidelines for the equipment to which it is to be connected. These units are not suitable for use with mains voltage.

These transmitters are for use in systems under pressure and should be installed in accordance with practices relevant to the intended use only by persons qualified to do so. A typical use might be an LPHW system where the transmitter would be screwed directly into a 1/4" BSP socket in steel pipework using a sealing compound around the thread if appropriate. A hexagonal surface is cast into the body for turning the unit using a spanner. Gripping devices such as stilson wrenches or swan neck pliers must not be used on the smooth cylindrical part of the body as this can damage the transmitter.

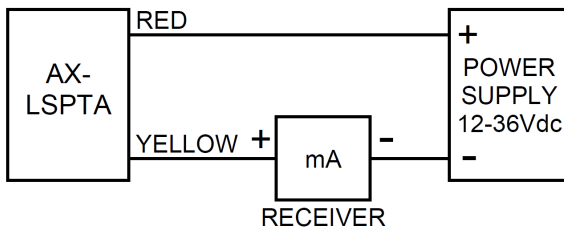
Dimensions



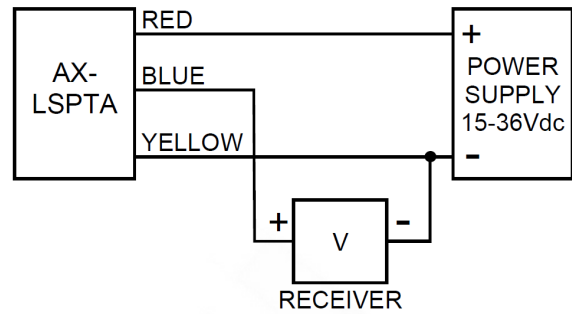
Connections

Wired: (1m cable supplied)

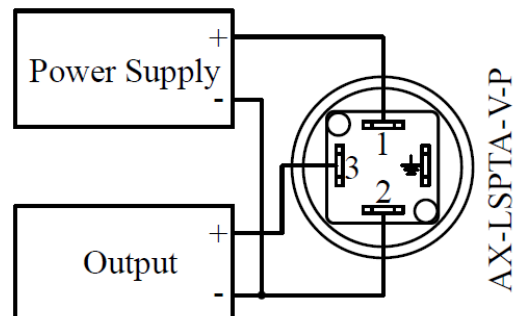
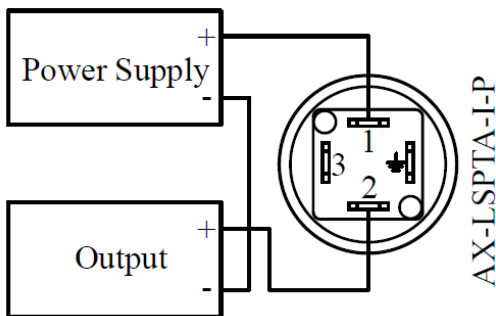
CURRENT OUTPUT



VOLTAGE OUTPUT



Hirschman Plug:



Datasheet Contents

Every effort has been taken in the production of this data sheet to ensure accuracy. MSL do not accept responsibility for any damage, expense, injury, loss or consequential loss resulting from any errors or omissions. MSL has a policy of continuous improvement and reserves the right to change this specification without notice.