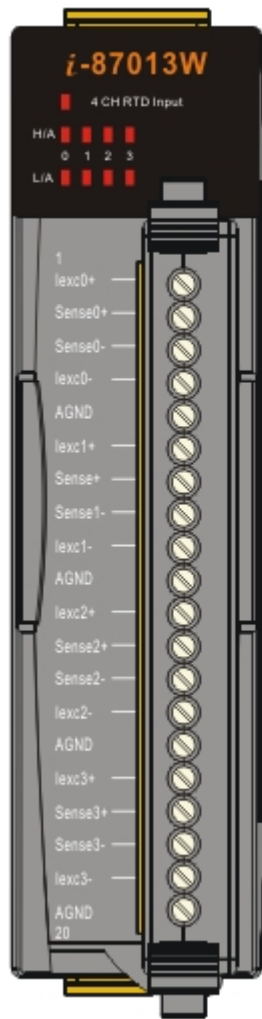


I-87013W Specification

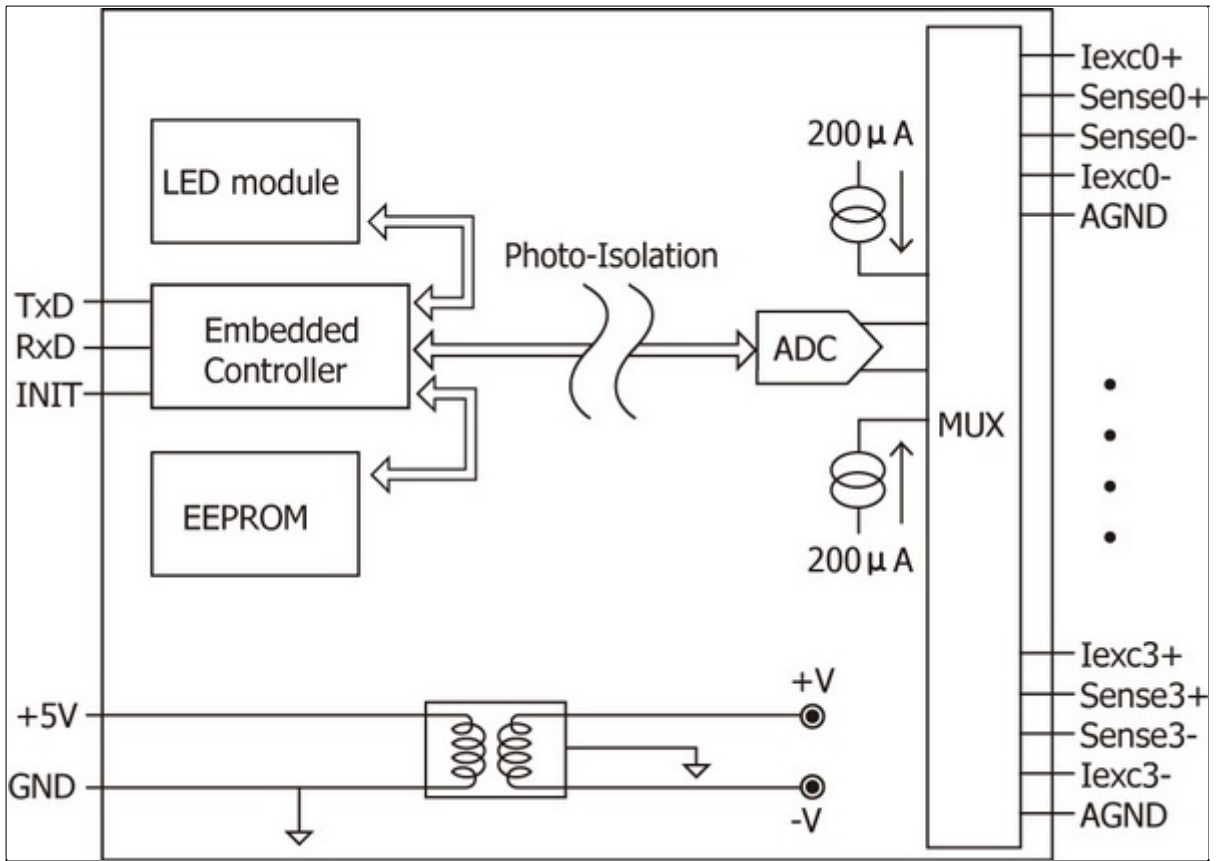
Analog Input	Input Channel	4 RTD
	Input Type	Pt100, Pt1000, Ni120
	Wire Connection	2/3/4 Wire RTD
	Sampling Rate	10 samples/second total
	-3dB BandWidth	15.7Hz
	Accuracy	+/-0.1%
	Common Mode Rejection	150dB @50/60Hz
	Normal Mode Rejection	100dB @50/60Hz
	4KV ESD Protection	Yes(Contact)
	Isolation Voltage	3000VDC
LED Display	1 LED as Power/Communication indicator 8 LEDs as High/Low Alarm signals	
Power Consumption	Maximum : 0.9W	

I-87013W Pin Assignment



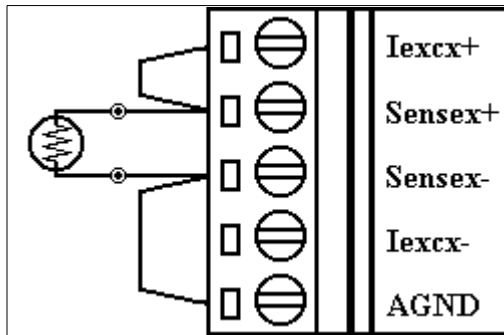
Terminal No.	Pin Assignment Name
01	lexc0+
02	Sense0+
03	Sense0-
04	lexc0-
05	AGND
06	lexc1+
07	Sense+
08	Sense1-
09	lexc1-
10	AGND
11	lexc2+
12	Sense2+
13	Sense2-
14	lexc2-
15	AGND
16	lexc3+
17	Sense3+
18	Sense3-
19	lexc3-
20	AGND

I-87013W Block Diagram

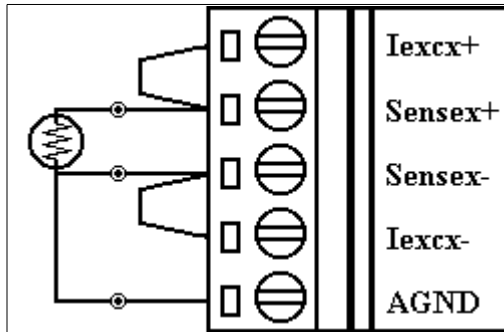


I-87013W Wire Connection

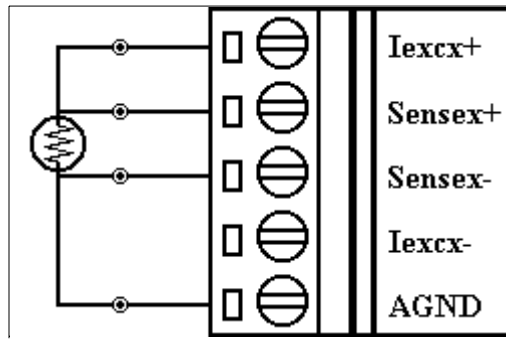
2-Wire RTD Connection



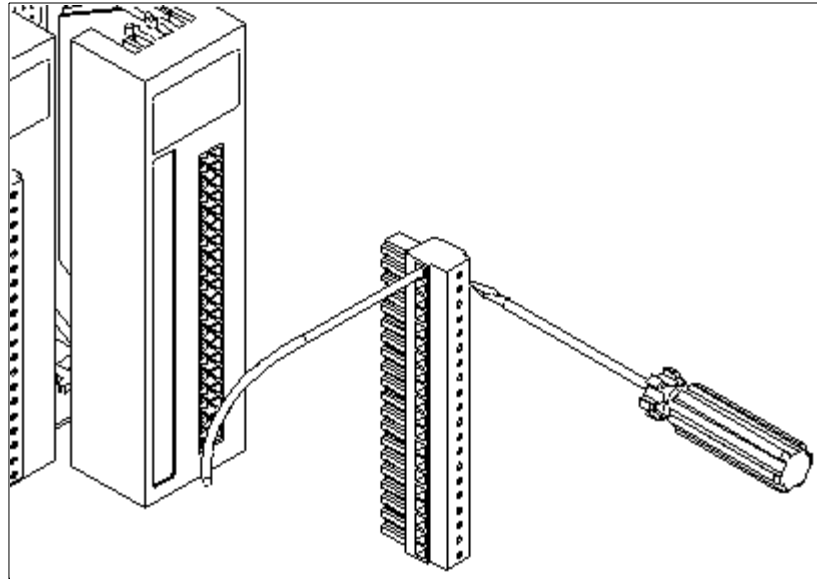
3-Wire RTD Connection



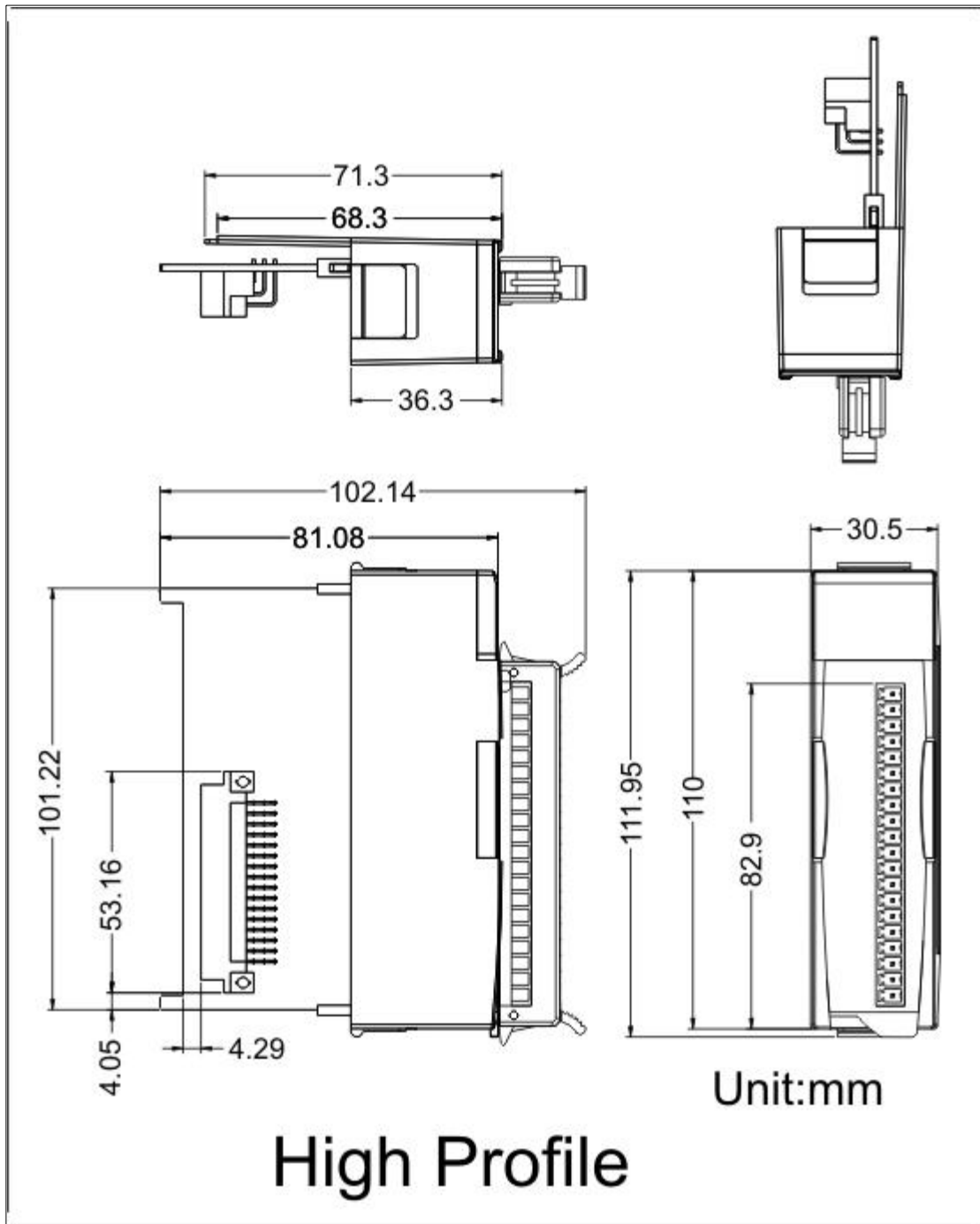
4-Wire RTD Connection



Screw wire into I-87013W



I-87013W Dimention



I-87013W Default Setting

Configuration	Default Setting	Description
Type	20	PT100, $\alpha=0.00385$, -100 to 100 degree Celsius
Baudrate	0A	115200 bps
Format	00	60Hz rejection Checksum disable Engineer Unit Format