



I-7565M-FD

(USB to 2-port CAN/CAN FD Bus Converter)

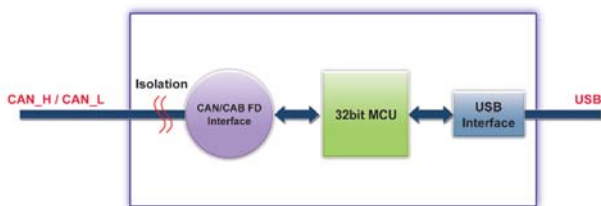
Introduction

I-7565M-FD is a USB to CAN/CAN FD (CAN with Flexible Data-Rate) converter with two CAN channels. It allows transmitting/receiving CAN/CAN FD frames and supports CAN2.0A/2.0B and CAN FD (ISO/Bosch) specifications and different baud rates for CAN/CAN FD frame. When connecting I-7565M-FD to PC, PC will load the relevant device driver automatically (hot plug & play). Therefore, users can make data collection and processing of CAN Bus network easier and quicker by applying I-7565M-FD. The application fields can be CAN Bus monitoring, building automation, remote data acquisition, environment control, etc.

System Specifications

LED Indicators/Display	
System LED Indicator	1 x Power, 1 x Module status, 4 x CAN status
Power	
Power Consumption	USB power delivery, 1.5 W (Max.)
Mechanical	
Installation	Wall Mount
Casing	Metal
Dimensions (mm)	111.0 mm x 102.0 mm x 27.0 mm (W x L x H)
Environment	
Operating Temperature	-25 ~ +75°C
Storage Temperature	-30 ~ +80°C
Humidity	10 ~ 90% RH, Non-condensing

Internal I/O Structure



Features

- Compatible with USB 2.0 (High Speed)
- Compatible with the ISO 11898-2 standard
- Compatible with CAN specification 2.0 A/B and FD
- CAN FD support for ISO and Non-ISO (Bosch) standards switchable
- CAN FD bit rates for data field from 100 kbps to 10000 kbps
- CAN bit rates from 10 kbps to 1000 kbps
- Support CAN Bus message filter configuration
- Provide API library for user program development



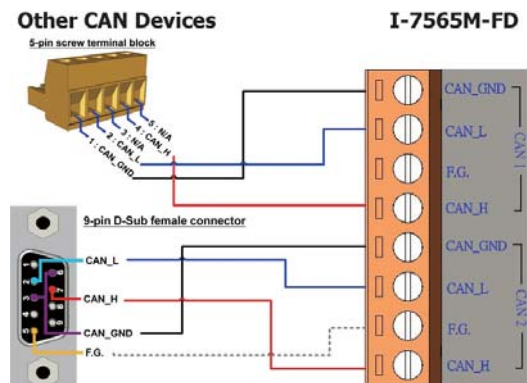
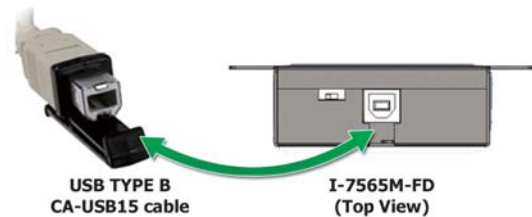
I/O Specifications

CAN Interface	
Transceiver	T1 TCAN1042HG
Channel Number	2
Connector	8-pin terminal-block connector
Transmission Speed	CAN bit rates: 10 ~ 1000 kbps, CAN FD bit rates for data field: 100 ~ 10000 kbps
Terminal Resistor	DIP switch for the 120 Ω terminal resistor
Isolation	3000 VDC for DC-to-DC, 2500 Vrms for photocoupler
Specification	ISO 11898-2, CAN 2.0 A/B and FD
CAN Filter Configuration	Selectable via Utility tool
Receive Buffer	128 data frames
Max Data Flow	3000 fps for Tx/Rx (Total CAN ports)
USB Interface	
Connector	USB Type B x 1
Compatibility	USB 2.0 High Speed
Software Driver	Built-in Windows 7/8.1/10

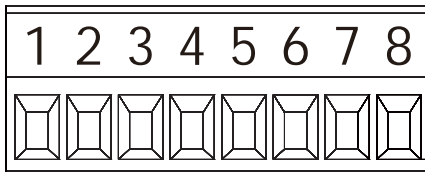
Attention:

The maximum CAN FD data rate can be exceeded depending on the concrete operating conditions (cable length, network topology, settings,...), but it can also not be reached.

Wire Connections



Pin Assignments

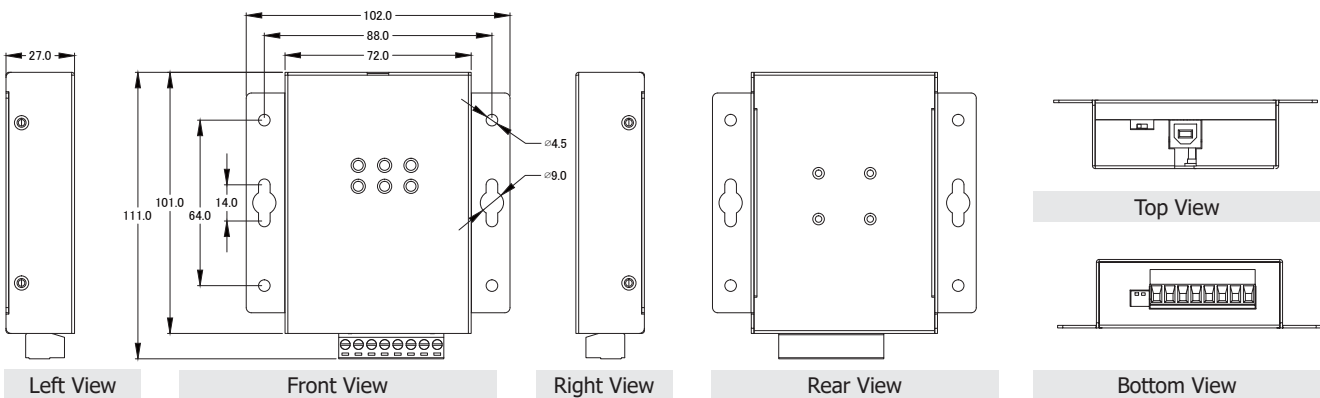


Pin No	Name	Description
1	CAN_GND	CAN ground of CAN1 port
2	CAN_L	CAN_Low bus line of CAN1 port.
3	F.G.	Frame Ground.
4	CAN_H	CAN_High bus line of CAN1 port.
5	CAN_GND	CAN ground of CAN2 port
6	CAN_L	CAN_Low bus line of CAN2 port.
7	F.G.	Frame Ground.
8	CAN_H	CAN_High bus line of CAN2 port.

Applications



Dimensions (Units: mm)



Ordering Information

I-7565M-FD CR	USB to 2-port CAN/CAN FD Bus Converter (RoHS)
----------------------	---