



DNM-844-(50A)(200A)(500A)

4 Channel Current Transformer



DNM-844-(1000A)(2000A)

4 Channel Current Transformer

Features

- 4-Channel High Current Input Measurement
- Linear Attenuation Ratio
- 4 kV ESD Protection
- 3 kV Surge Protection
- 3000 VDC Intra-module Isolation
- RoHS Compliance
- Easily wire connection
- Operating Temperature: -25 ~ +75 °C



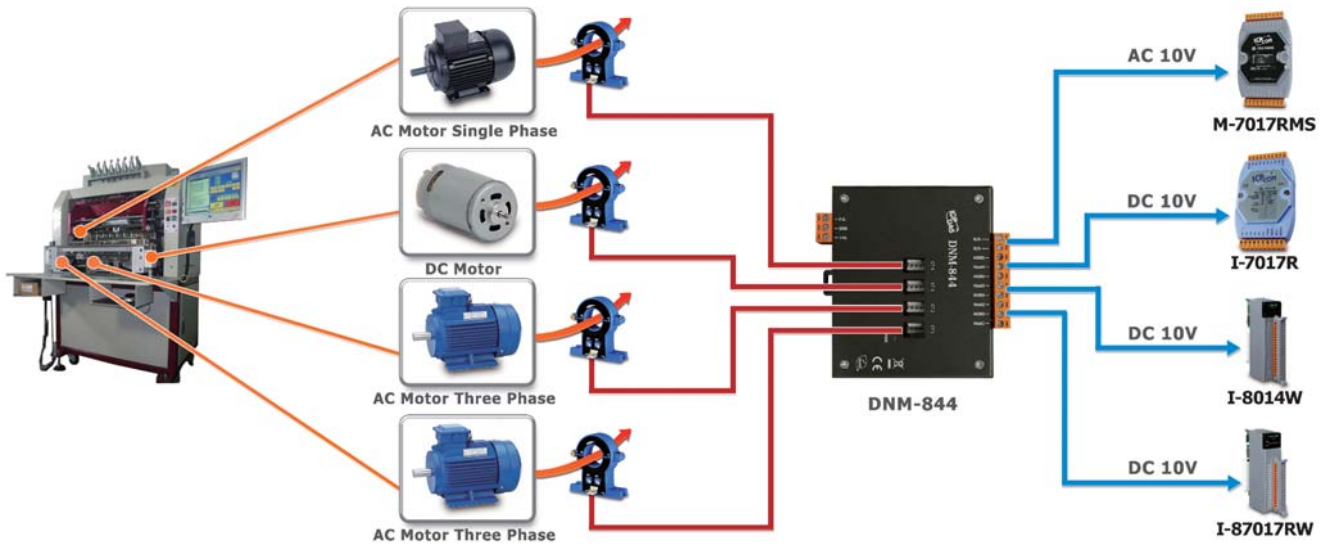
Introduction

The DNM-844 is 4-channel current transformer. The maximum current input range is from ± 2000 A can be attenuated to ± 10 V. It provides 3000 VDC intra-modules isolation. It can be used with the analog input modules such as I-7017, I-87017, M-7017RMS and I-87017W-RMS etc. to measure the high current.

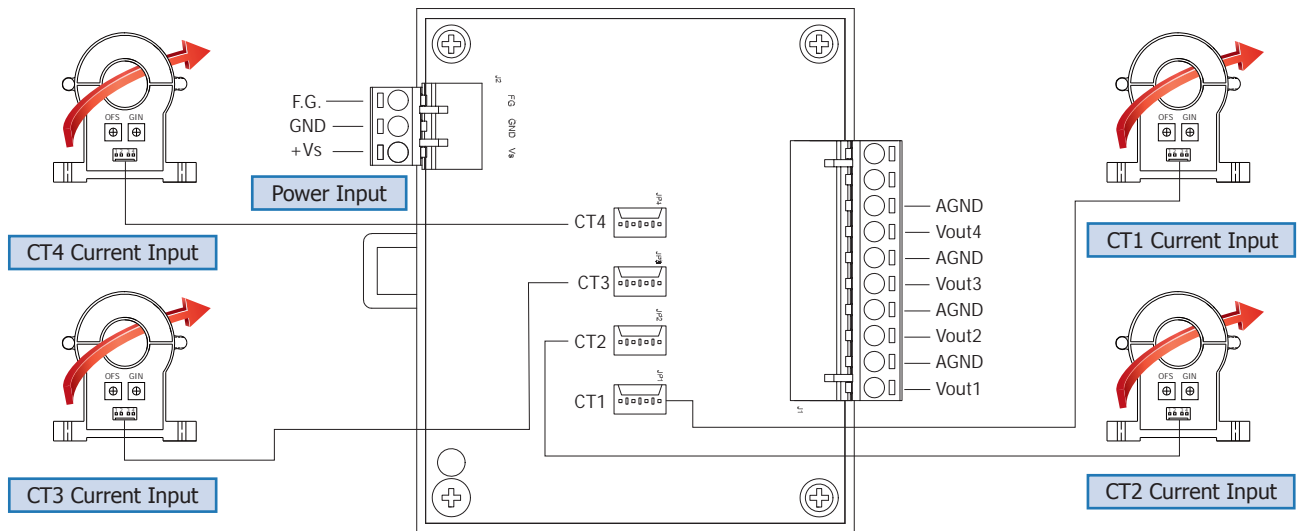
Specifications

Models	DNM-844-50A	DNM-844-200A	DNM-844-500A	DNM-844-1000A	DNM-844-2000A
High Current Input					
Channels	4				
Input Type	AC/DC Current				
Input Current Range	± 50 A	± 200 A	± 500 A	± 1000 A	± 2000 A
Output Voltage Range	± 10 VDC or 10 VAC				
Accuracy of Max. Voltage Output	$\pm 1\%$ of FSR				
Frequency bandwidth	0~50KHz				
CT Φ	$\Phi 21$ mm			$\Phi 40.5$ mm	
Isolation					
Isolation voltage	2.5 KV @ 50 (60) HZ/1min				
Intra-module Isolation, Field-to-Logic	3000 Vdc				
EMS Protection					
ESD (IEC 61000-4-2)	± 4 kV contact for power line, input and output channels, ± 8 kV air for random point				
Surge (IEC 61000-4-5)	± 3 kV for power liner				
Power Input					
Input Range	$+10 \sim +30$ VDC				
Power Consumption	2.3 W				
Mechanical					
Dimensions (W x L x D)	103 mm x 104 mm x 28 mm				
Housing	Metal				
Installation	DIN-Rail Mounting				

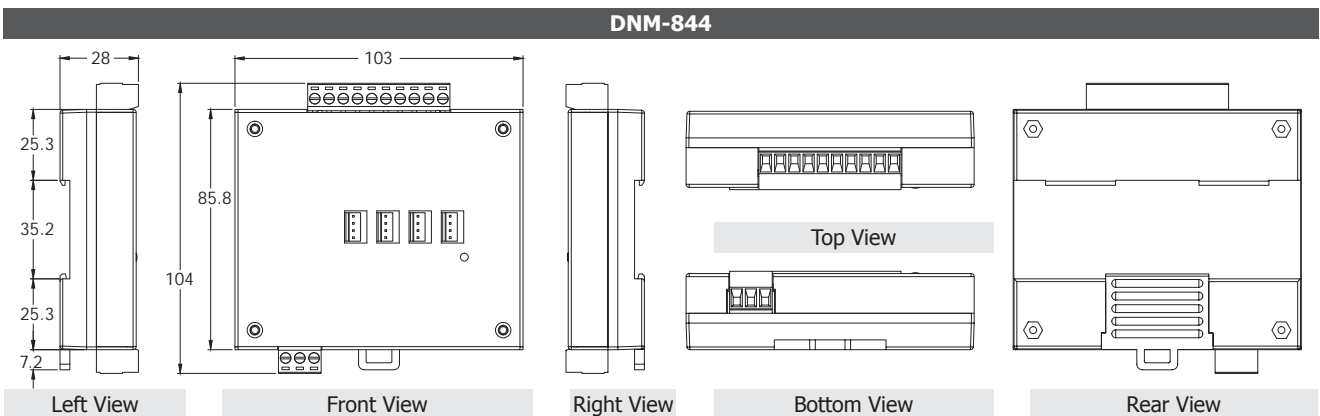
Applications



Appearance

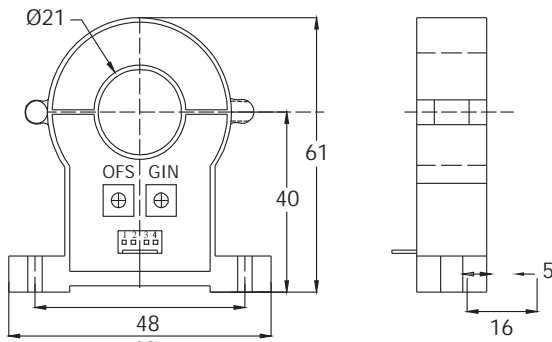


Dimensions (Units: mm)



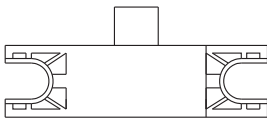
Dimensions (Units: mm)

50A, 200A, 500A CTΦ21mm



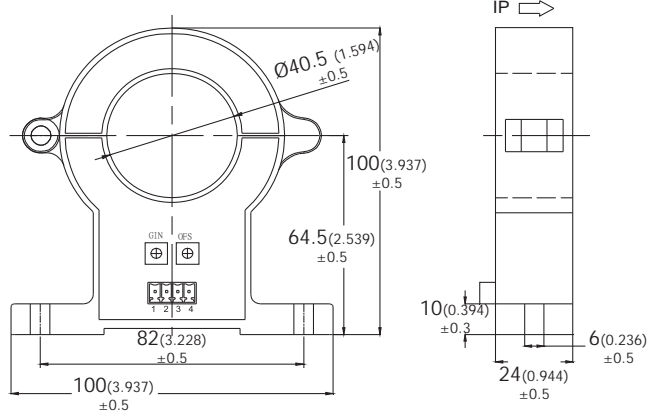
Front View

Right View



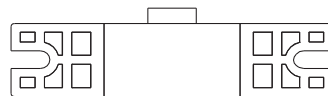
Bottom View

1000A, 2000A CTΦ40.5mm



Front View

Right View



Bottom View

TB1 Pin Assignments
 TB1-1: +15V RED
 TB1-2: -15V BLACK
 TB1-3: Output GREEN
 TB1-4: GND WHITE

Ordering Information

DNM-844-50A CR	4 Channel Current Transformer (50A) (Metal) (RoHS)
DNM-844-200A CR	4 Channel Current Transformer (200A) (Metal) (RoHS)
DNM-844-500A CR	4 Channel Current Transformer (500A) (Metal) (RoHS)
DNM-844-1000A CR	4 Channel Current Transformer (1000A) (Metal) (RoHS)
DNM-844-2000A CR	4 Channel Current Transformer (2000A) (Metal) (RoHS)

Accessories

	CA-040415	4-pin & 4-pin Cable 1.5 M (RoHS)
	CA-040425	4-pin & 4-pin Cable 2.5 M (RoHS)
	CA-040415-1	4-pin & 4-pin Cable 1.5 M (RoHS)
	MDR-20-24 CR	24 V/1 A, 24 W Power Supply with DIN-Rail Mounting (RoHS)
	I-7017-G CR	8-channel Analog Input Module with DCON Protocol (Gray Cover) (RoHS)
	I-87017W-G CR	8-channel Analog Input Module (Gray Cover) (RoHS)
	M-7017RMS CR	8-channel True RMS Input Module (Gray Cover) (RoHS)
	I-87017W-RMS CR	8-channel True RMS Input Module (Gray Cover) (RoHS)