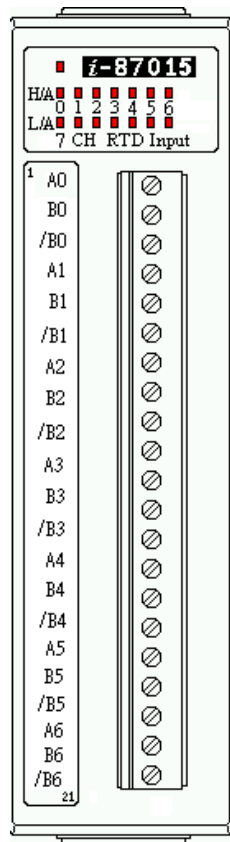


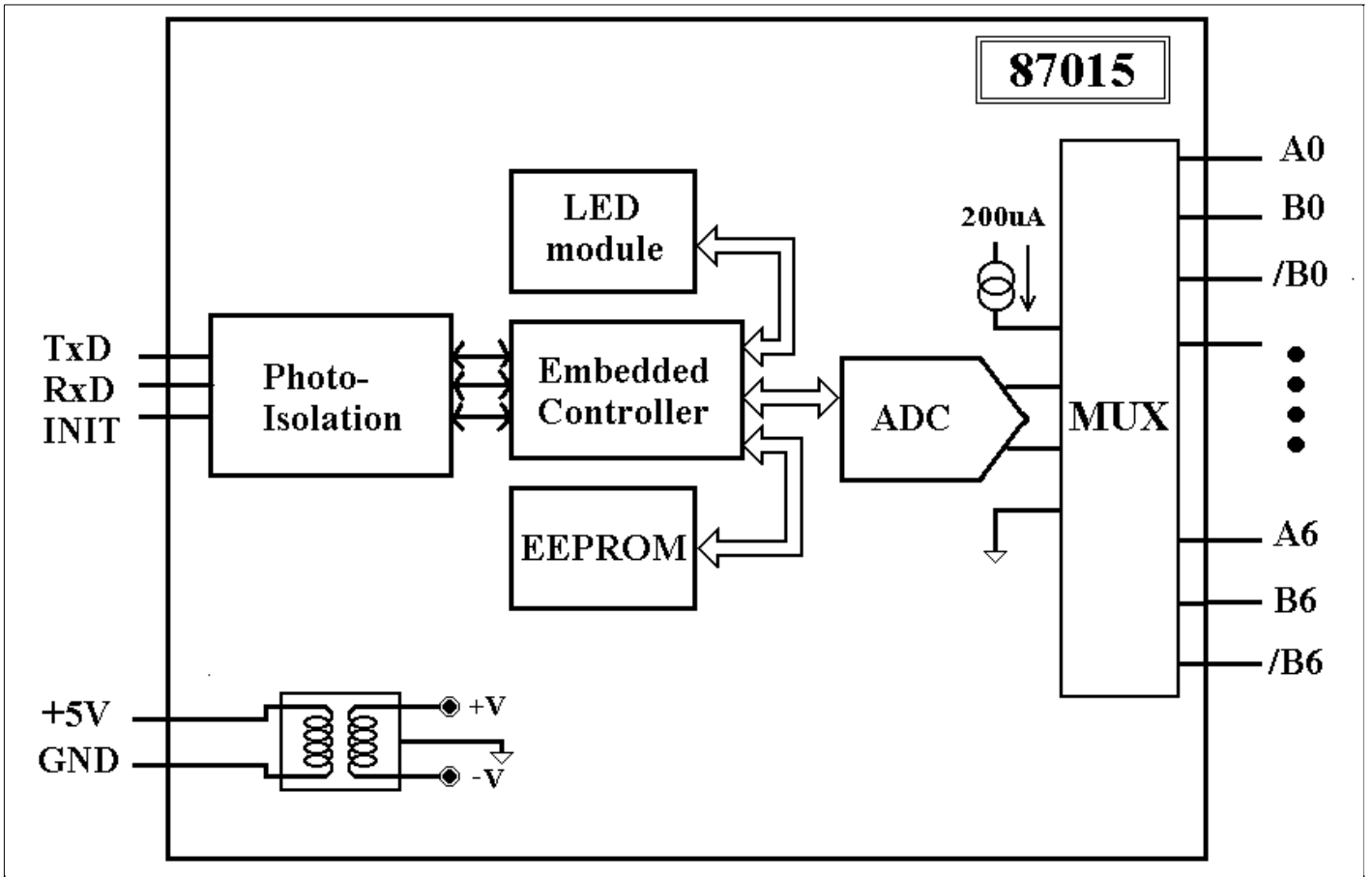
I-87015 Specification

Analog Input	Input Channel	7 RTD Input Channels
	Input Type	2-Wire or 3-Wire RTD
	RTD Range	Pt100, Pt1000, Ni120 Cu100, Cu1000
	Sampling Rate	10 samples/second total
	-3dB BandWidth	5.24Hz
	Accuracy	+/-0.05%
	Common Mode Rejection	100dB @50/60Hz
	Normal Mode Rejection	100dB @50/60Hz
Isolation Voltage	3000Vdc	
LED Display	1 LED as Power/Communication indicator 7 LEDs as High/Low Alarm signals	
Power Consumption	Maximum :1.0W	

I-87015 Pin Assignment

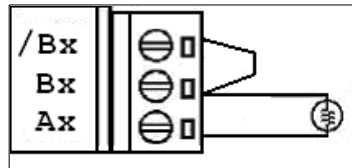
Terminal Number	Pin Name
1	A0
2	B0
3	/B0
4	A1
5	B1
6	/B1
7	A2
8	B2
9	/B2
10	A3
11	B3
12	/B3
13	A4
14	B4
15	/B4
16	A5
17	B5
18	/B5
19	A6
20	B6
21	/B6

I-87015 Block Diagram

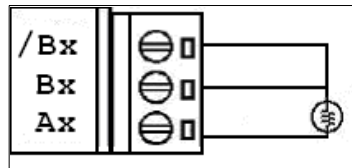


I-87015 Wire Connection

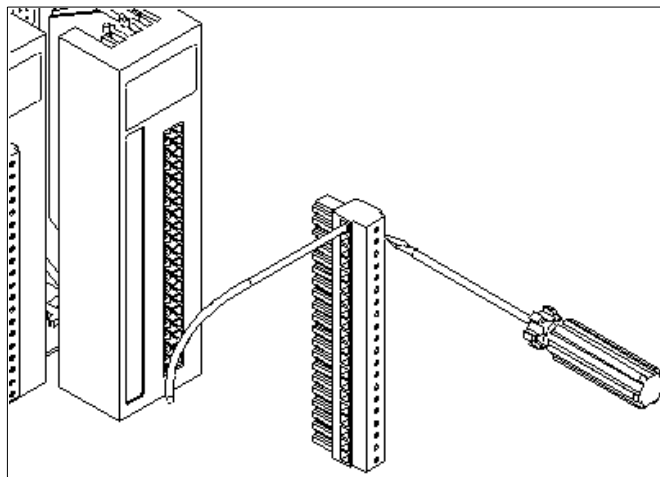
2-Wire RTD Connection



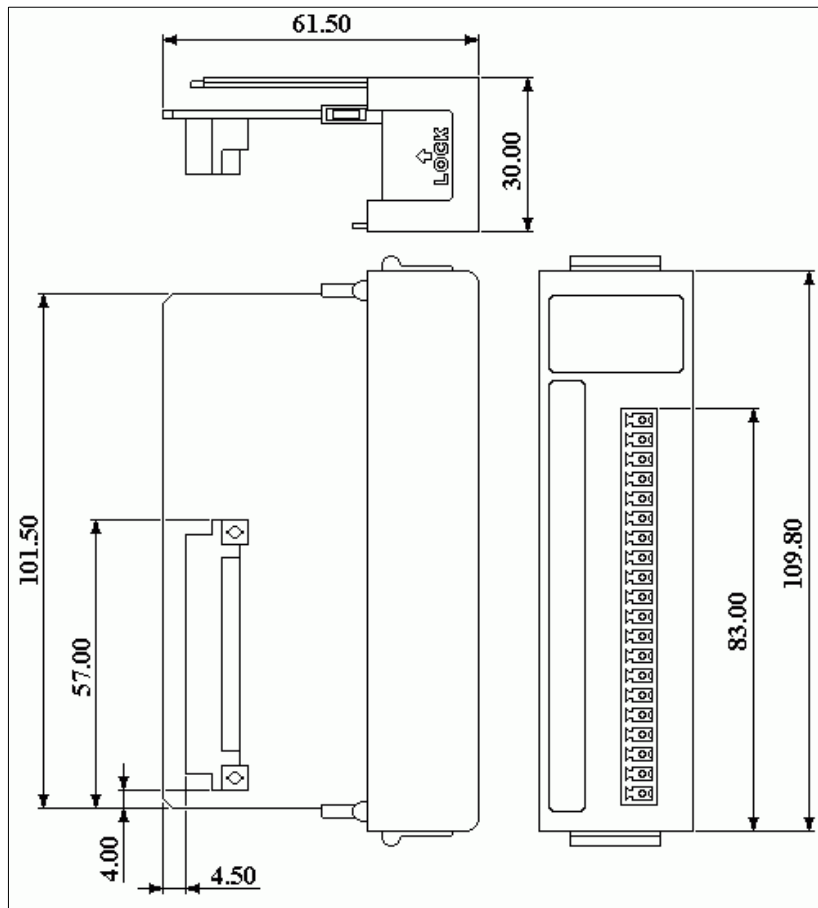
3-Wire RTD Connection



Screw wire into I-87015



I-87015 Dimention



I-87015 Default Setting

Configuration	Default Setting	Description
Address	01	Module Address = 01
Type	20	PT100, a=0.00385, -100 to 100 degree Celsius
Baudrate	0A	115200 bps
Format	00	60Hz rejection Checksum disable Engineer Unit Format