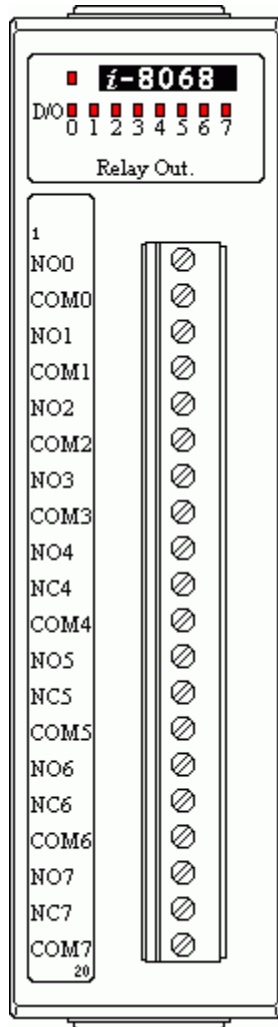


I-8068 Specification

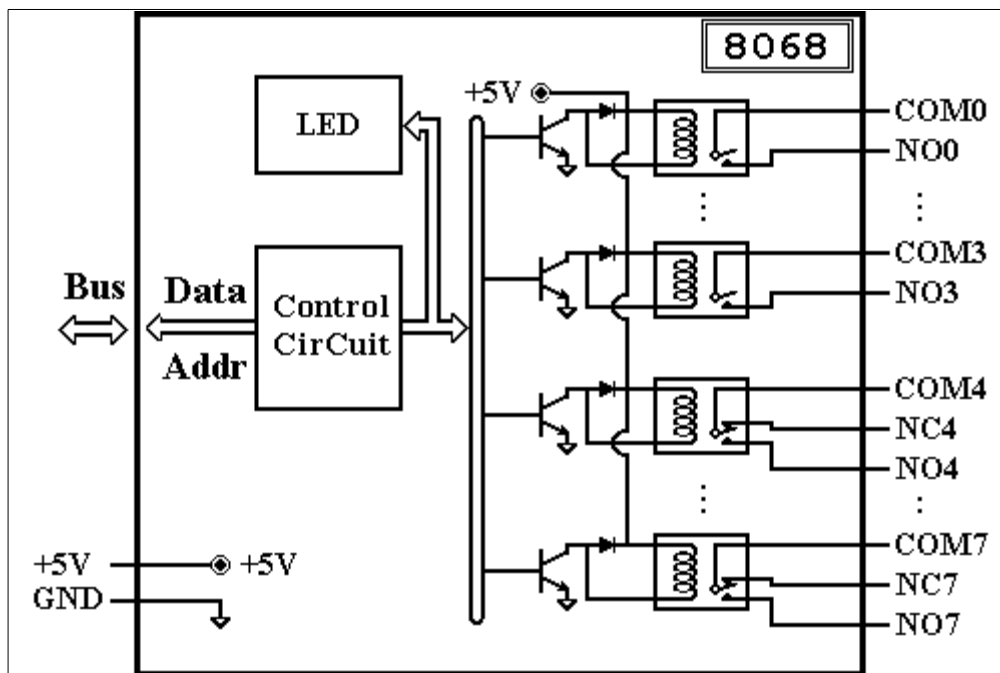
Relay Output	Output Channel	8
	Relay Type	Form A : Relay 0 to 3 Form C : Relay 4 to 7
	Contact Rating	0.5A@125VAC 1A@30VDC
	Operate/Release Time	7mS/3mS
	Life	2×10^5
	Dielectric Strength	Coil to contacts : 1500VAC Open contacts : 1000VAC
LED Display	1 LED as Power/Communication indicator 8 LEDs as relay output indicators	
Power Consumption	Typical : 0.5W Maximum : 1.9W	
Note	8068 : Internal Parallel Bus	

I-8068 Pin Assignment

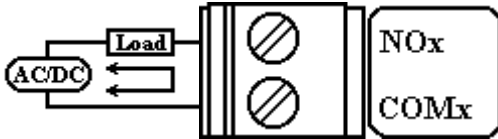
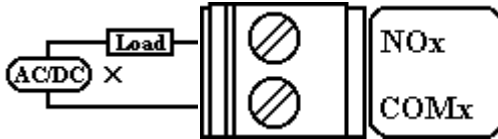
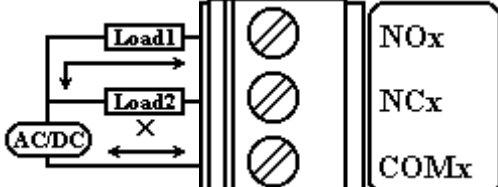
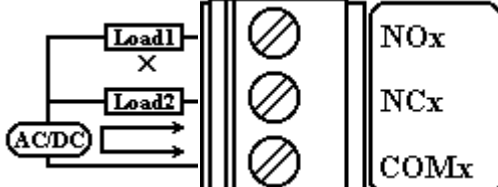


Terminal Number	Pin Name
1	NO0
2	COM0
3	NO1
4	COM1
5	NO2
6	COM2
7	NO3
8	COM3
9	NO4
10	NC4
11	COM4
12	NO5
13	NC5
14	COM5
15	NO6
16	NC6
17	COM6
18	NO7
19	NC7
20	COM7

I-8068 Internal I/O Structure



I-8068 Wire Connection

Output Type	ON State LED ON Readback as 1	OFF State LED OFF Readback as 0
Form A Relay Contact		
Form C Relay Contact		

I-8068 Dimention

