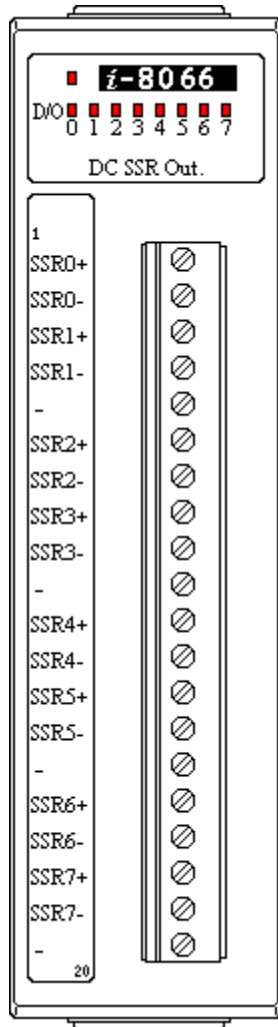


I-8066 Specification

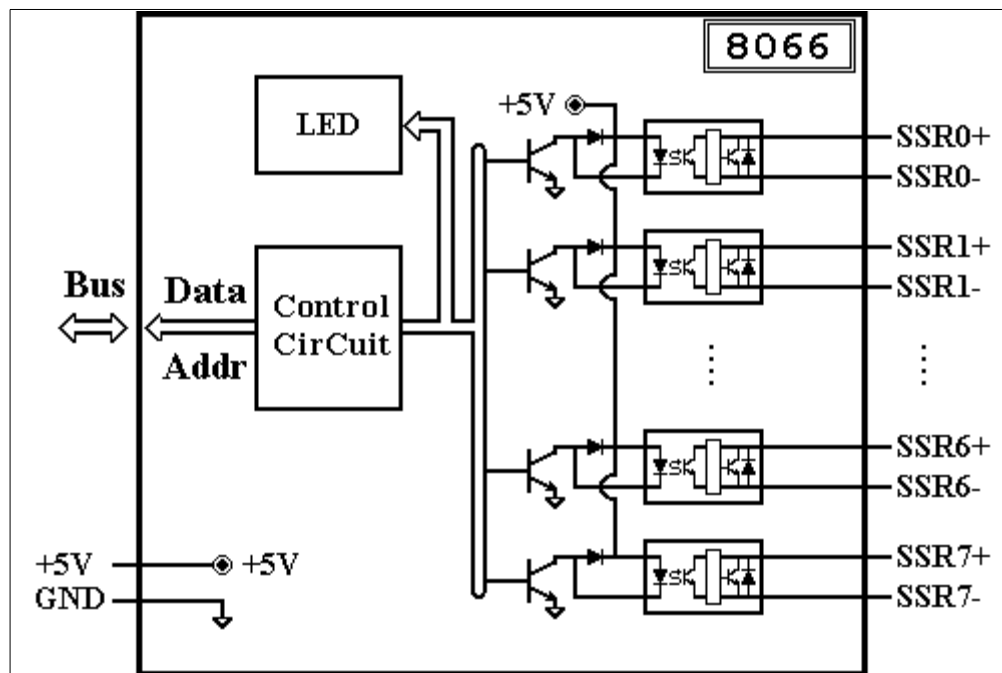
DC-SSR Output	Output Channel	8
	DC-SSR Type	Normal Open
	Load Voltage Rating	3 to 30 V _{DC}
	Off-state Leakage Current	0.1mA (at 30V _{DC}) max.
	Load Current	1.0A max.
	Operate Time	1mS max.
	Release Time	1mS max.
	Dielectric Strength	2500V _{RMS}
LED Display	1 LED as Power/Communication indicator 8 LEDs as DC-SSR output indicators	
Power Consumption	Typical : 0.5W Maximum : 0.7W	
Note	8066 : Internal Parallel Bus	

I-8066 Pin Assignment

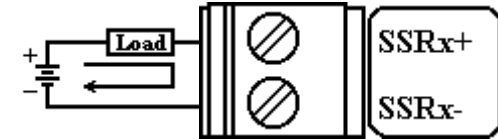
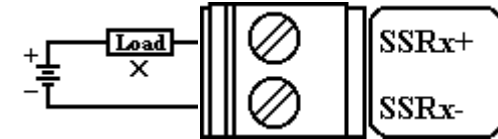


Terminal Number	Pin Name
1	SSR0+
2	SSR0-
3	SSR1+
4	SSR1-
5	-
6	SSR2+
7	SSR2-
8	SSR3+
9	SSR3-
10	-
11	SSR4+
12	SSR4-
13	SSR5+
14	SSR5-
15	-
16	SSR6+
17	SSR6-
18	SSR7+
19	SSR7-
20	-

I-8066 Internal I/O Structure



I-8066 Wire Connection

Output Type	ON State LED ON Readback as 1	OFF State LED OFF Readback as 0
DC-SSR Output		

I-8066 Dimention

