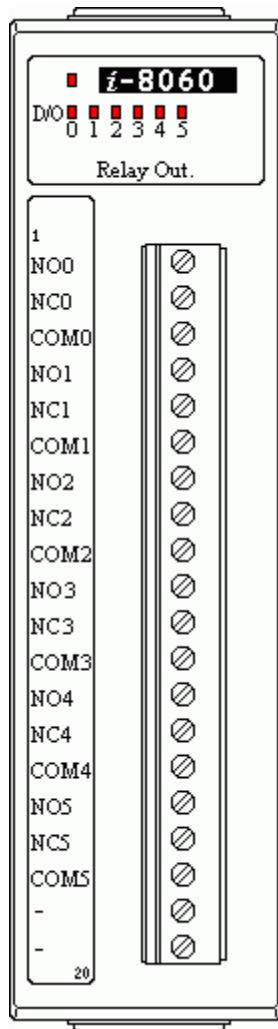


**I-8060 Specification**

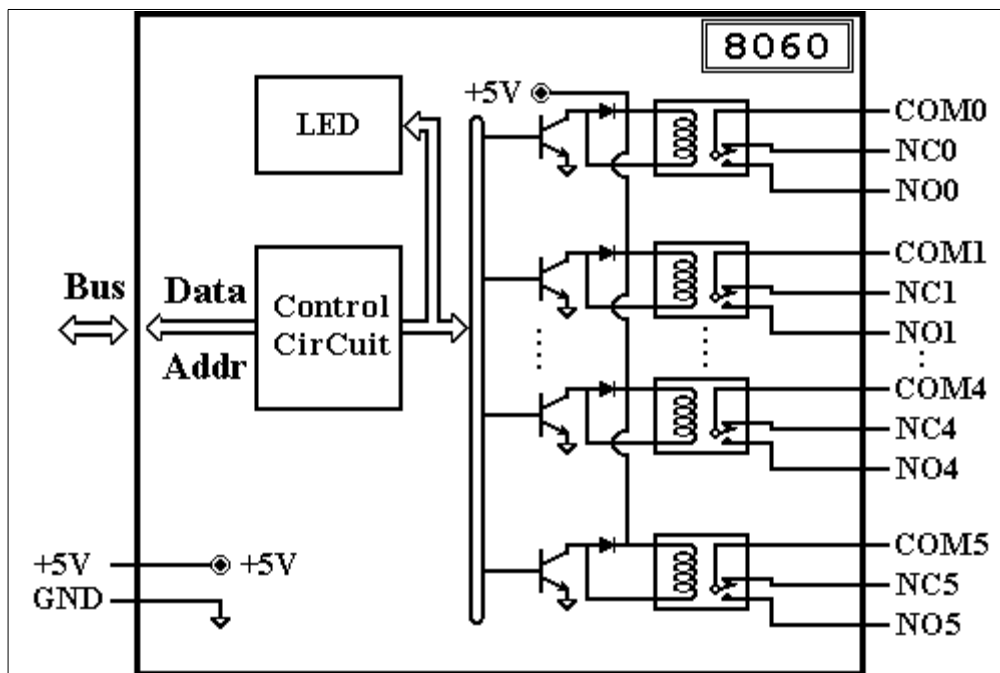
<b>Relay Output</b>	Output Channel	6
	Relay Type	Form C : Relay 0 to 5
	Contact Rating	0.6A@125VAC 0.6A@110VDC 2A@30VDC
	Operate/Release Time	7mS/3mS
	Life	$2 \times 10^5$
	Dielectric Strength	Coil to contacts : 1500VAC Open contacts : 1000VAC
<b>LED Display</b>	1 LED as Power/Communication indicator 6 LEDs as relay output indicators	
<b>Power Consumption</b>	Typical : 0.5W Maximum : 1.5W	
<b>Note</b>	8060 : Internal Parallel Bus	

**I-8060 Pin Assignment**

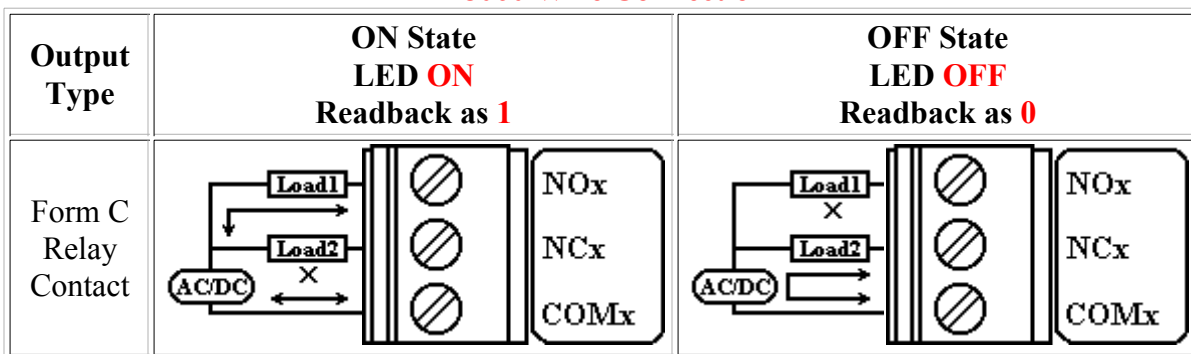


Terminal Number	Pin Name
1	NO0
2	NC0
3	COM0
4	NO1
5	NC1
6	COM1
7	NO2
8	NC2
9	COM2
10	NO3
11	NC3
12	COM3
13	NO4
14	NC4
15	COM4
16	NO5
17	NC5
18	COM5
19	-
20	-

**I-8060 Internal I/O Structure**



**I-8060 Wire Connection**



**I-8060 Dimention**

