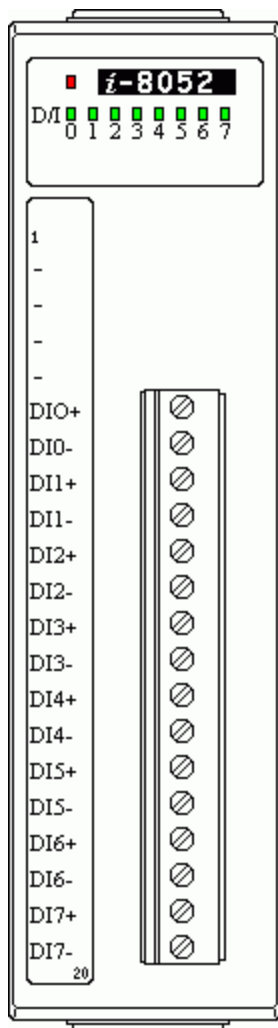


### I-8052 Specification

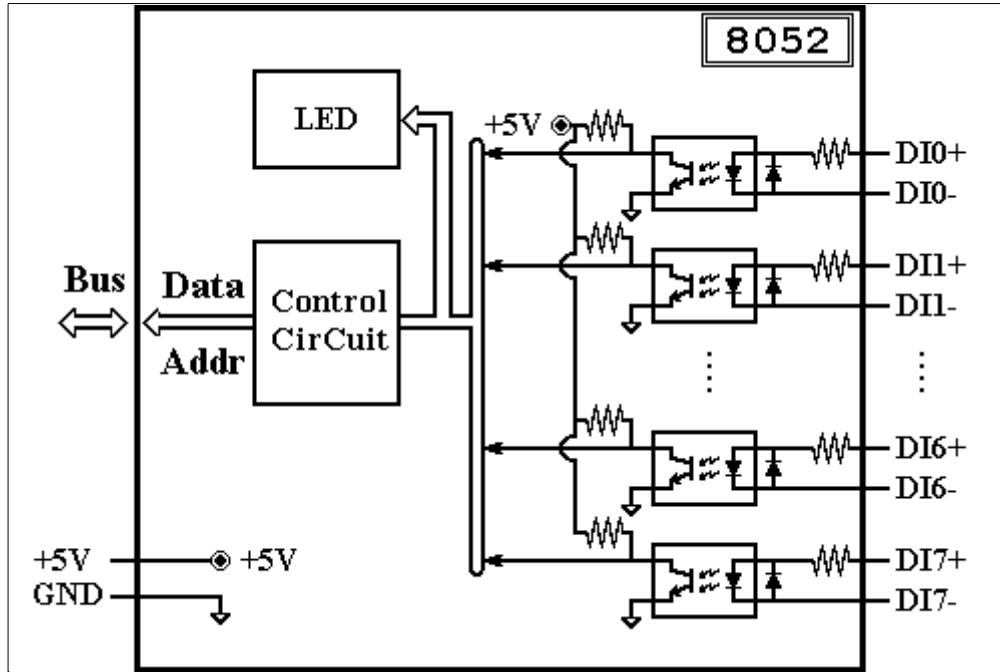
|                          |  |                                     |
|--------------------------|--|-------------------------------------|
| <b>Digital Input</b>     | Input Channel  | 8                                   |
|                          | Input Type   | Isolated differential digital input |
|                          | ON State   | Input voltage > 3.5V                |
|                          | OFF State  | Input voltage < 1V                  |
|                          | Input Impedance  | 3K Ohms                             |
|                          | Isolation Voltage  | 5000 Vrms                           |
| <b>LED Display</b>       | 1 LED as Power/Communication indicator<br>8 LEDs as digital input indicators |                                     |
| <b>Power Consumption</b> | Typical : 0.25W<br>Maximum : 0.3W  |                                     |
| <b>Note</b>              | 8052 : Internal Parallel Bus   |                                     |

### I-8052 Pin Assignment



| Terminal Number | Pin Name |
|-----------------|----------|
| 5               | DI0+     |
| 6               | DI0-     |
| 7               | DI1+     |
| 8               | DI1-     |
| 9               | DI2+     |
| 10              | DI2-     |
| 11              | DI3+     |
| 12              | DI3-     |
| 13              | DI4+     |
| 14              | DI4-     |
| 15              | DI5+     |
| 16              | DI5-     |
| 17              | DI6+     |
| 18              | DI6-     |
| 19              | DI7+     |
| 20              | DI7-     |

### I-8052 Internal I/O Structure



### I-8052 Wire Connection

| Input Type     | ON State<br>LED <b>ON</b><br>Readback as <b>1</b> | OFF State<br>LED <b>OFF</b><br>Readback as <b>0</b> |
|----------------|---|---|
| Relay Contact  |   |   |
| TTL/CMOS Logic |   |   |
| Open Collector |   |   |

### I-8052 Dimention

